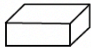


Rubinetto dual leggero, vitoni ottone, maniglie ABS, rosone inox, cromato

*Dual lightangle valve , multiturn brass spindles, ABS handles, inox cover plate, chromed*

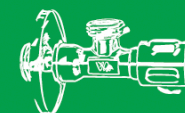
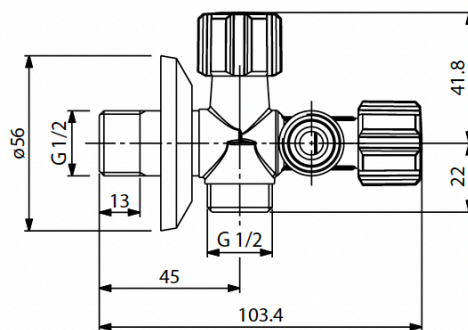
Pack	Cod.	Dim.	Kg/Pz.	Conf.	Box	€
	<b>D445694</b>	M1/2" x M1/2" x 1/2"	0,24	1	50	12,78
	<b>D445694WR</b>	M1/2" x M1/2" x 1/2" Maniglie bianca - <i>White handles</i>	0,24	1	50	12,38



**D445694**



**D445694WR**



**100%** Tested